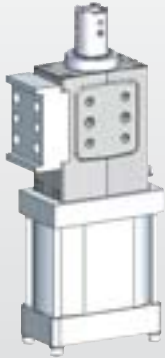


**NEW****Modular Pin Package**

This new generation of pin packages provides a high flexibility which is possible with modular design. Some single modules can create a big variety in different models.

page **17.10**



DE-STA-CO pin packages are designed with a view to the requirements of the automotive and sheet processing industries. They are the perfect choice when it comes to positioning metal sheets and other components on and in jigs. Sensors check if a piston rod is extended or retracted. This optional feature is a distinct advantage in automatic production systems.

**All clamps share one common feature:**

The clamps are designed to last for millions of cycles if the relevant application complies with the concept guideline.

The table below is intended to help you take your first pick of pin package that best suits your specific application.

	Model no.	Pushing force [N]	Retraction force [N]	Page
	86P30-1	390	290	17.2
	86P30-1D	780	580	17.6
	86P40-2	620	520	17.10
	86P60-2	1550	1400	17.10
	85P5-1	2000	1000	17.16

## Series 86P30-1

- Pneumatic pin packages, enclosed single units with 30 mm diameter cylinders

Models: 86P30-105.....

### Application:

Accurate positioning of sheet metal parts in welding equipment and handling systems. At the end of the welding process, the pins are retracted from the pin holes. The component can thus be easily removed from the jig.

### Key areas of application:

Automotive manufacturing, sheet processing industry, jig and general mechanical engineering.

### Features:

- compact design
- low weight
- high accuracy of positioning
- lateral and front-face mounting areas
- mounting base for centring pin incl. precision bore holes and grooves
- inductive sensing module with LED display
- long body for stroke 40 mm short body for stroke 20 mm
- long and short body are interchangeable in connecting



**86P30-105B8004** base model  
(w/o sensing, w/o add-ons)




**86P30-105B8002** base model  
w/ sensing (w/o add-ons)

Model no.		Pushing force at 5 bar [N]	Retraction force at 5 bar [N]	Max. operating pressure [bar]	Piston Ø	Stroke [mm]	Weight ~ [kg]	Air consumption per double stroke at 5 bar [dm³]
w/o sensing	with inductive sensing connector M12x1 w/ lead							
<b>86P30-105L3004</b>	<b>86P30-105B8004</b>	390	290	8	32	40	1,0	0,48
<b>86P30-105L3002</b>	<b>86P30-105B8002</b>	390	290	8	32	20	0,85	0,34


### Order no. code for pin packages 86P30-105.....

Example Order no.: **86P30 - 1 0 5 B8 00 4**

**86P3 - 105** = Base model, without sensing system, without accessories  
Stroke 40 mm




**86P30 - 105...2** = Base model, without sensing system, without accessories  
Stroke 20 mm




piston rod adaptor location hole for Ø 10 mm  
cross groove 11 mm

**Base model**

**L3** = without sensing system cover plate 8AD-036-1/8AD-069-1



**B8** = with sensing system 8EA-033-2/8EA-091-1 manufactures by Turck, connector plug M12



**Sensing system**

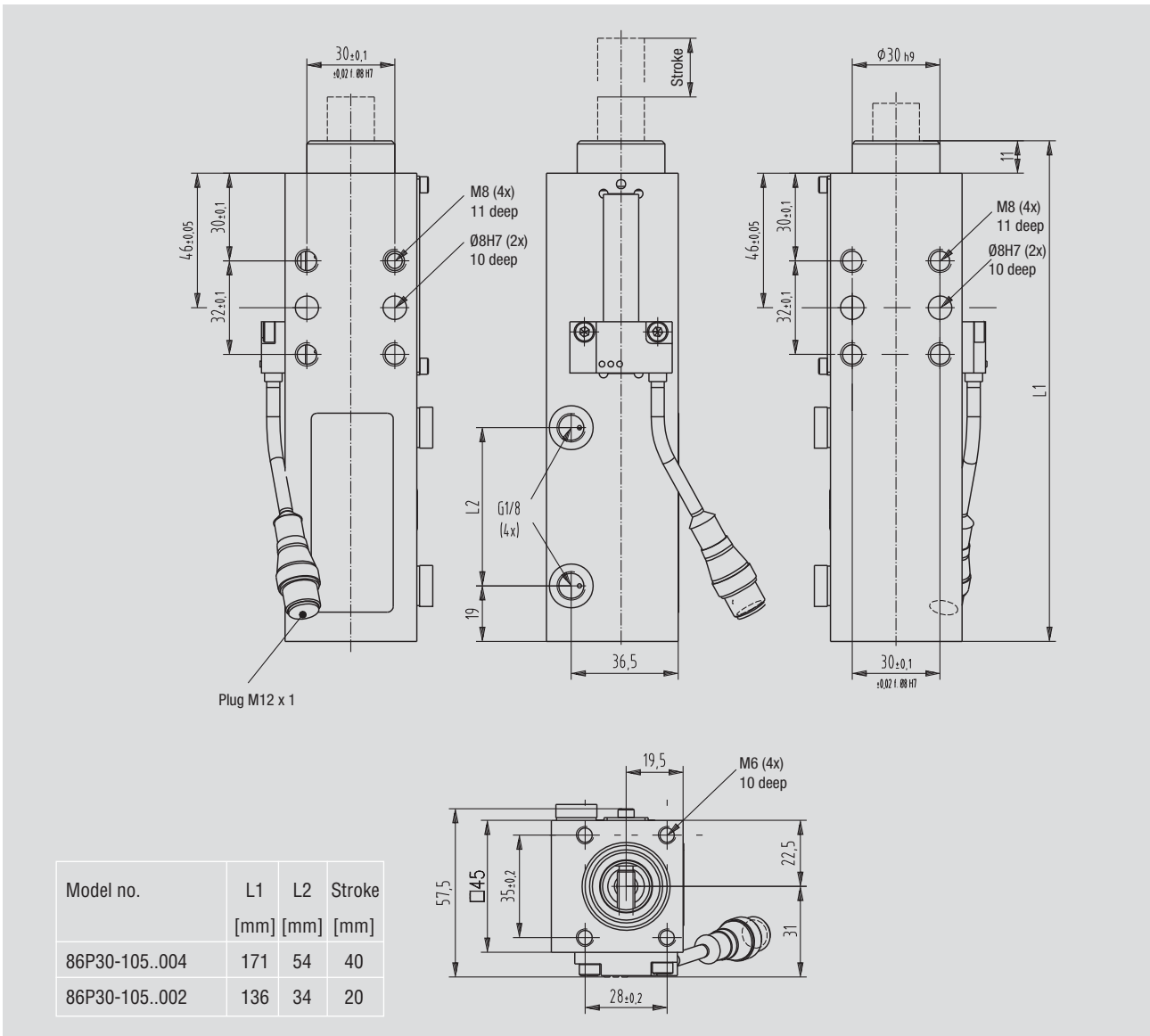
**00** = without accessories

**Accessories**

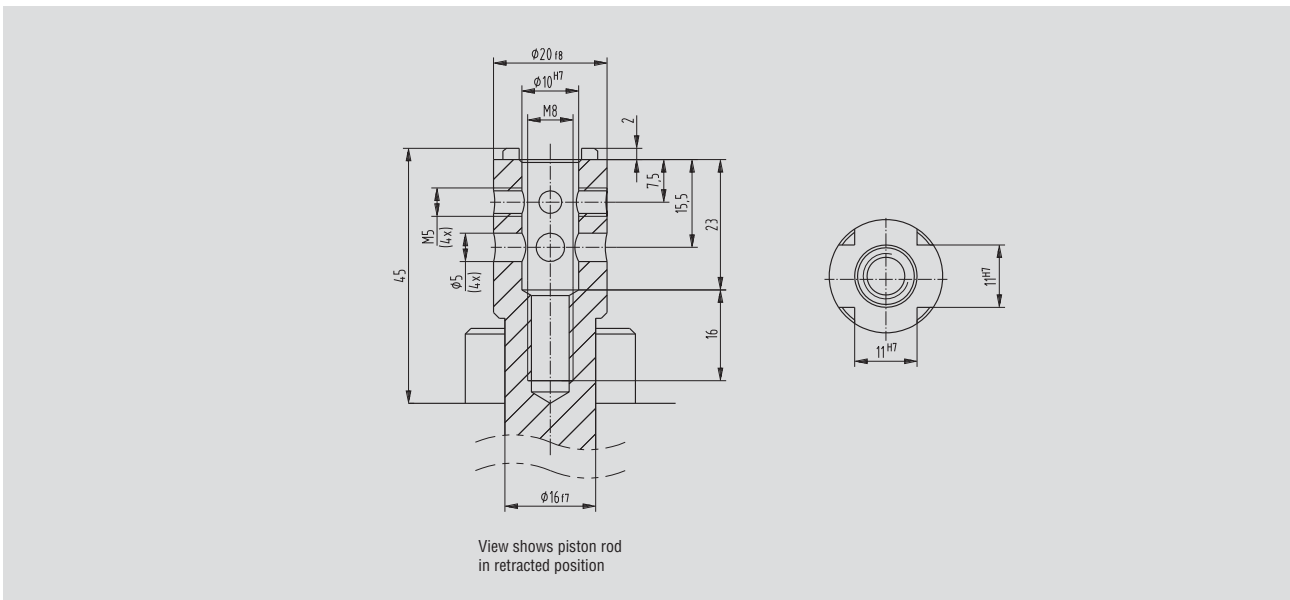
**4** = stroke limit 40 mm

**2** = stroke limit 20 mm

86P30-105.....



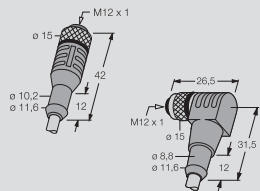
86P30-105..... piston rod, detail



# Series 86P30-1

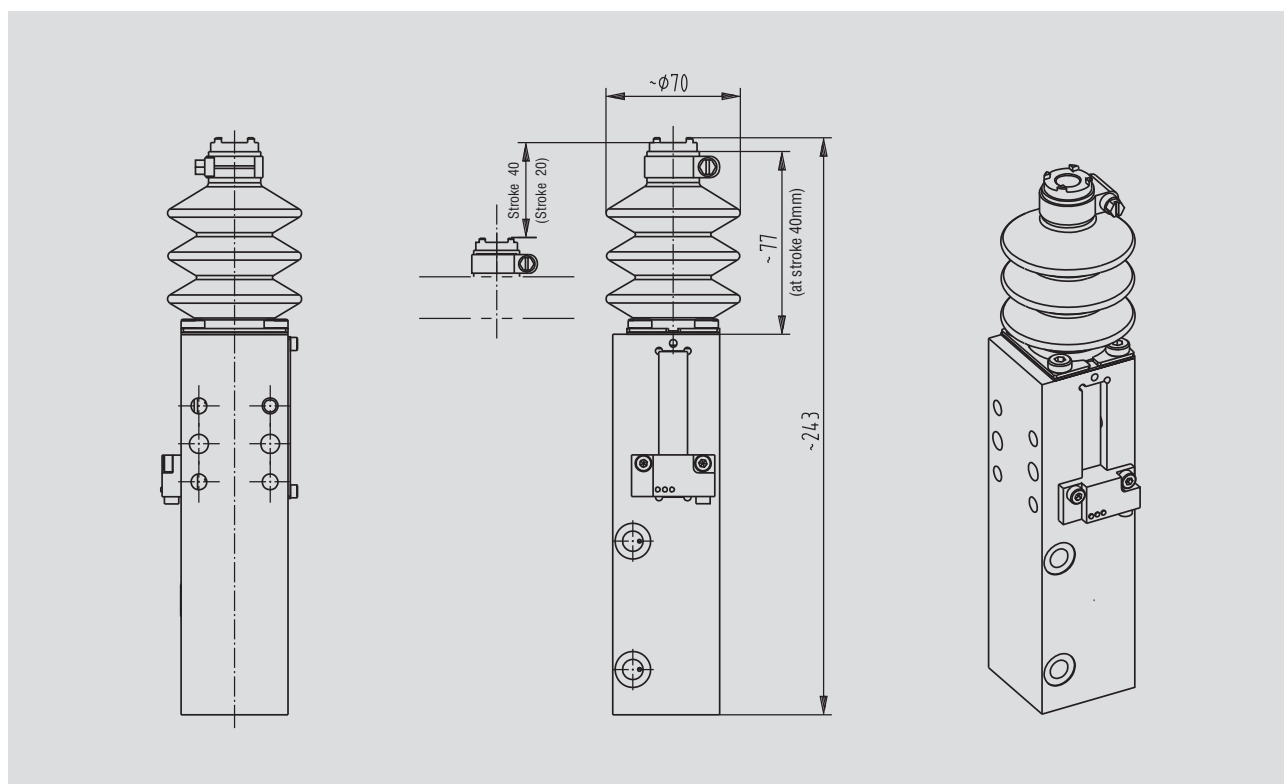
Accessories for 86P30-105.....

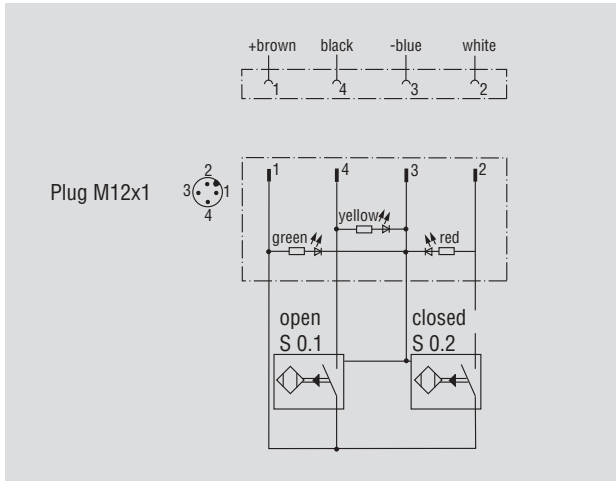
Specification	Order no. for 86P30-105.....
<b>Bellows</b>	<b>82ZB-016-4</b>
<b>Connecting cable</b> (1 connector socket & 5 m cable)	
Connector socket M12x1 straight, 5-pin	<b>8EL-002-1</b>
Connector socket M12x1 angular, 4-pin	<b>8EL-003-1</b>



**Bellows 82ZB-016-4**  
mounted on 86P30-105L3000

**Bellows for 86P30-1 : 82ZB-016-4**





### Wiring diagram of electrical sensing system

Sensing system immune to interference from d.c. arc welding and a.c. arc welding

Inductive design:

- **B8** Connector plug M12x1 w/ lead (Turck)

### Pin assignment

### Major spare parts for 86P30-105.....

Specification	Order no. for 86P30-105..4	Order no. for 86P30-105..2
<b>End position sensing system B8</b> inductive (Turck) connector plug M12x1 w/ lead	<b>8EA-033-2</b>	<b>8EA-091-1</b>
<b>Seal kit</b>	<b>86P3-1-00</b>	

## Series 86P30-1D5

- Pneumatic pin packages, enclosed twin units with 30 mm diameter cylinders

Models: 86P30-1D5.....

### Application:

Accurate positioning, with high precision of rotation, of sheet metal parts in welding equipment and handling systems. At the end of the welding process, the pins are retracted from the pin holes. The component can thus be easily removed from the jig. The pin package can also be used for centring pin positions outside the piston rod axis.

### Features:

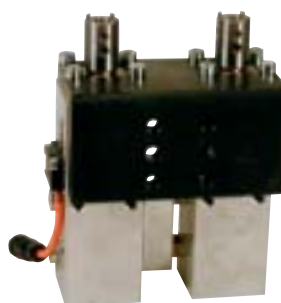
- compact design
- low weight
- high accuracy of positioning due to twin piston rod guide
- lateral mounting areas
- mounting base for centring pin incl. precision bore holes and grooves
- 1 inductive sensing module with LED display
- twin guide for off-centre pins
- long body for stroke 40 mm short body for stroke 20 mm
- long and short body are interchangeable in connecting

### Key areas of application:

Automotive manufacturing, sheet processing industry, jig and general mechanical engineering.



**86P30-1D5B8004**  
base model w/ sensing  
(w/o add-ons)







**86P30-1D5B8G12**  
with central air connection

Model no.		Pushing force	Retraction force	Max. operating	Piston	Stroke	Weight	Air consumption
w/o sensing	with inductive sensing connector M12x1 w/ lead	at 5 bar [N]	at 5 bar [N]	pressure [bar]	∅	[mm]	~ [kg]	per double stroke at 5 bar [dm³]
86P30-1D5L3004	86P30-1D5B8004	780	580	8	2x32	40	3,0	0,96
86P30-1D5L3002	86P30-1D5B8002	780	580	8	2x32	20	2,7	0,68
86P30-1D5L3G14	86P30-1D5B8G14	780	580	8	2x32	40	3,1	0,96
86P30-1D5L3G12	86P30-1D5B8G12	780	580	8	2x32	20	2,8	0,68

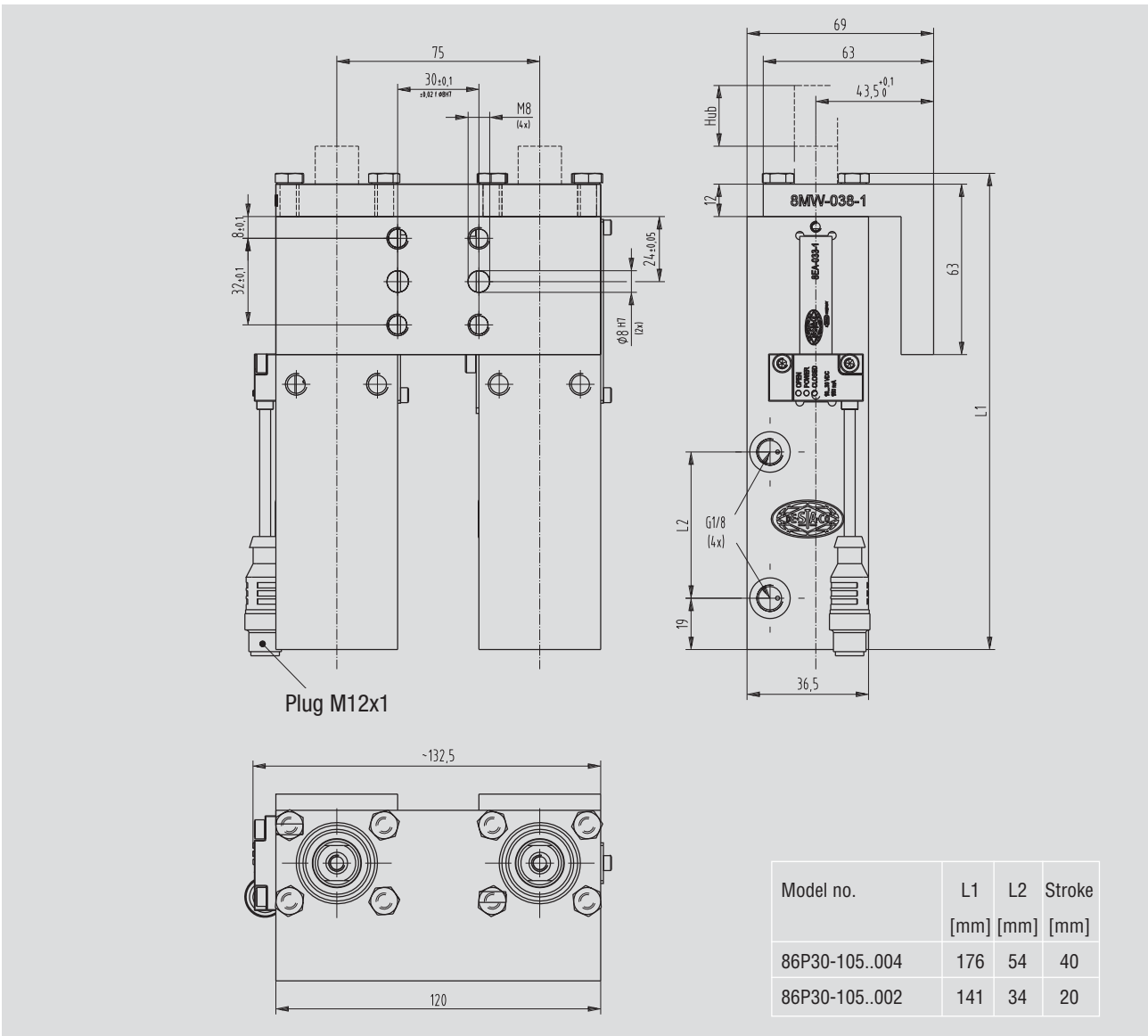
Order no. code for pin packages 86P30-1D5.....

Example Order no.: **86P30 - 1 D 5 B8 00 4**

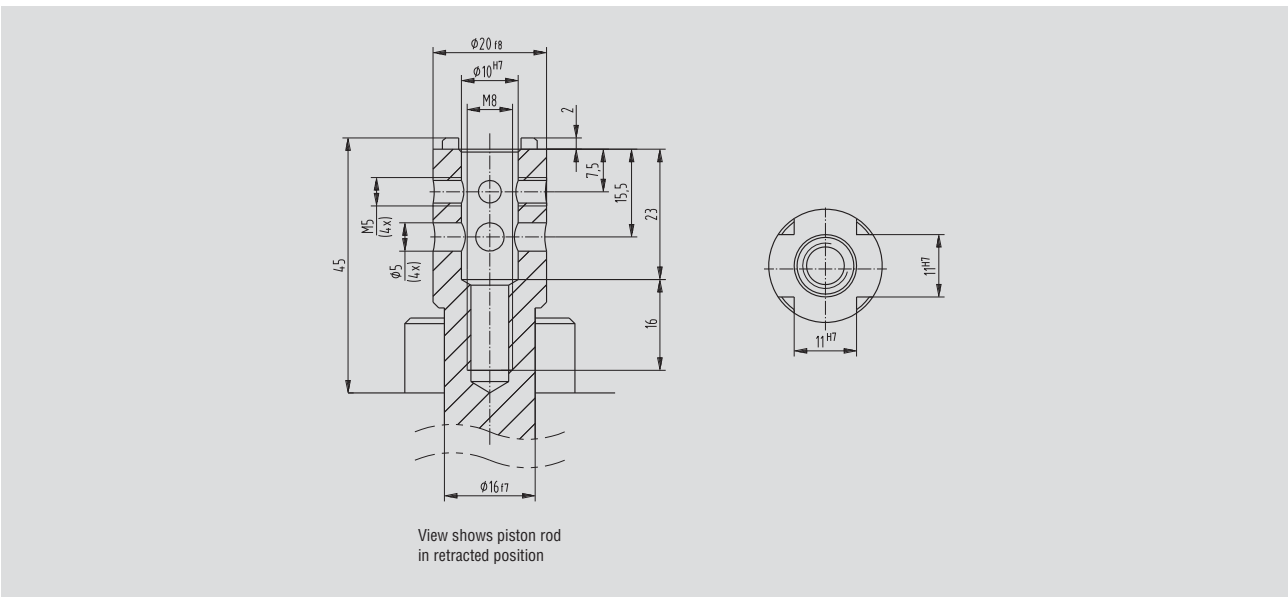
<p><b>86P3-1D5</b> = Base model without sensing system, without accessories</p>  <p>piston rod adapter location hole for ∅ 10 mm cross groove 11 mm</p> <p><b>Base model</b></p>	<p><b>B8</b> = with sensing system 8EA-033-2/ 8EA-091-1 manufactured by Turck, connector plug M12</p>  <p><b>Sensing system</b></p>	<p><b>L3</b> = without sensing system cover plate 8AD-036-1/8AD-069-1</p> 	<p><b>00</b> = without accessories</p> <p><b>G1</b> = central air connection 82ZB-029-1/82ZB-041-1</p>  <p><b>Accessories</b></p>	<p><b>4</b> = stroke 40 mm</p> <p><b>2</b> = stroke 20 mm</p>
---	--	---	---	---



86P30-1D5.....



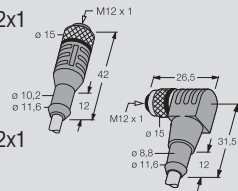
86P30-1D5..... piston rod, detail



## Series 86P30-1D5

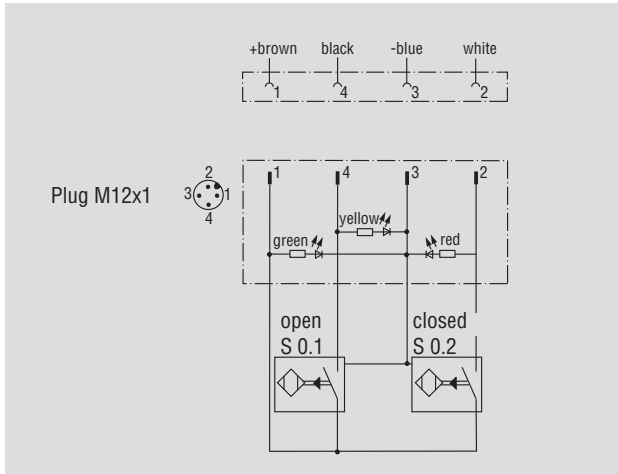
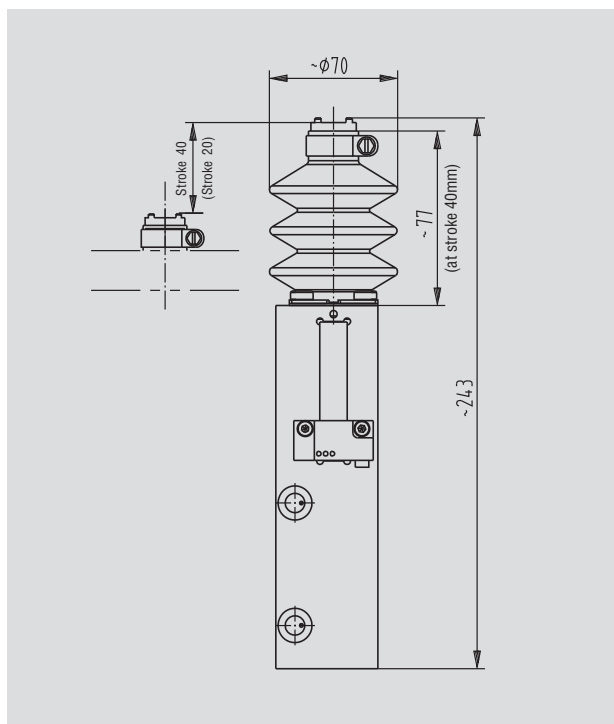
Accessories for 86P30-1D5.....

Specification	Order no. for 86P30-1D5.....
<b>Bellows</b>	<b>82ZB-016-4</b>
<b>Connecting cable (1 connector socket &amp; 5 m cable)</b>	
Connector socket M12x1 straight, 5-pin	<b>8EL-002-1</b>
Connector socket M12x1 angular, 4-pin	<b>8EL-003-1</b>



Bellow 82ZB-016-4 mounted on piston rod

Bellows for 86P30-1D..... : 82ZB-016-4



### Wiring diagram of electrical sensing system

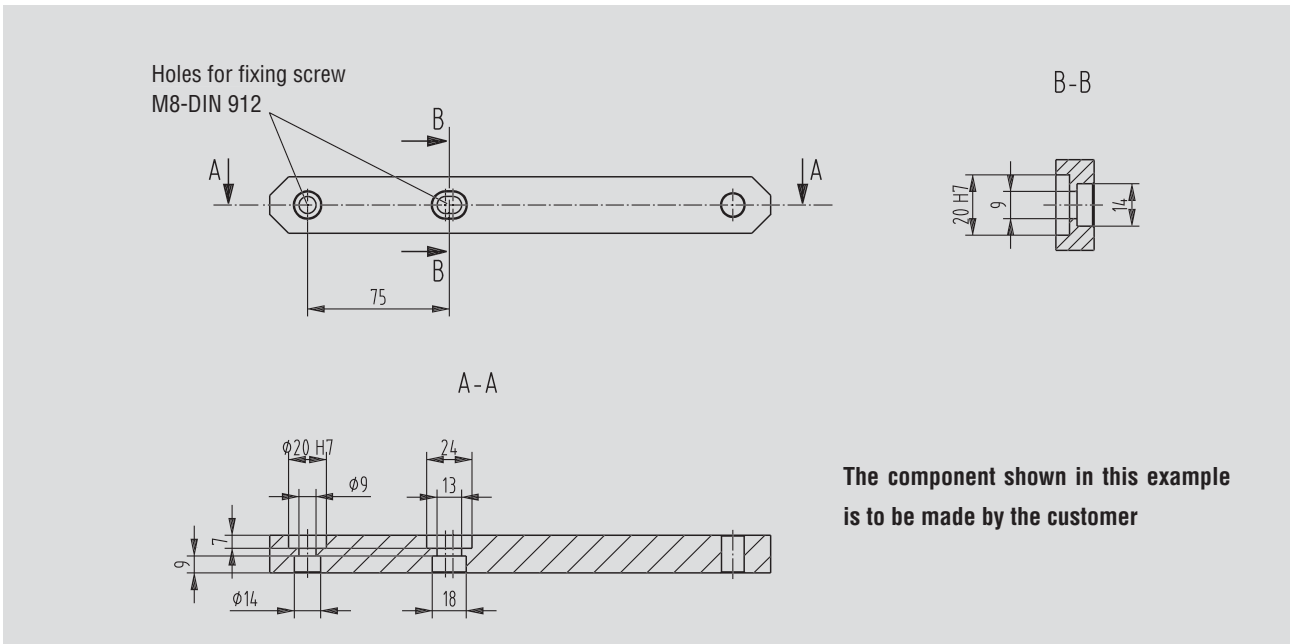
Sensing system immune to interference from d.c. arc welding and a.c. arc welding

Inductive design:

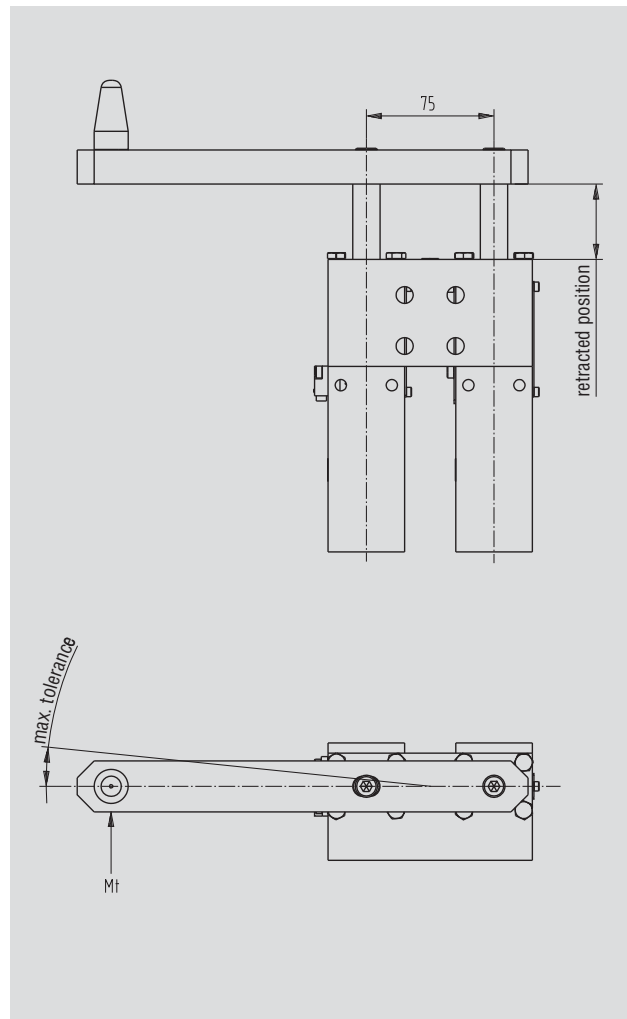
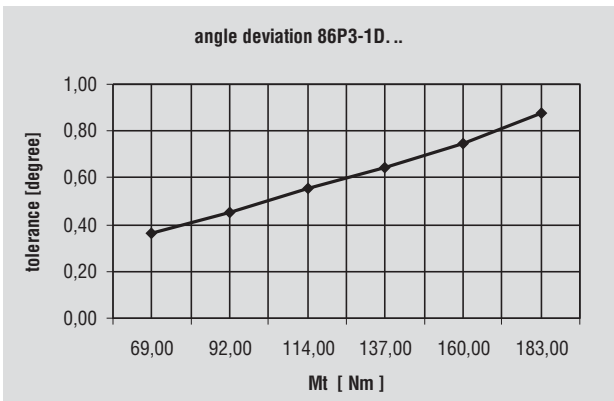
- B8 Connector plug M12x1 w/ lead (Turck)  
(just 1 sensing system required)

### Pin assignment

## Example application of off-centre centring pin of 86P30-1D5.....



## Concept guidelines: angle deviation of off-centre centring pins



## Major spare parts for 86P30-1D5.....

Specification	Order no. for	
	86P30-1D5...4	86P30-1D5...2
<b>End position sensing system B8</b> inductive (Turck) connector plug M12x1 w/ lead	<b>8EA-033-2</b>	<b>8EA-091-1</b>
<b>Seal kit</b>	<b>86P3-1-00</b>	

## Series 86P40-2, 86P60-2



### ■ Pneumatic pin packages, single units

Models: **86P40-2**  
**86P60-2**

#### Application:

Accurate positioning of sheet metal parts in welding equipment and handling systems. At the end of the welding process, the pins are retracted from the pin holes. The component can thus be easily removed from the jig.

#### Key areas of application:

Automotive manufacturing, sheet processing industry, jig and general mechanical engineering.

#### Features:

- compact design
- low weight
- high accuracy of positioning due to twin piston rod guide
- lateral and front-face mounting areas
- length of stroke: 20, 40 and 60 mm
- various mounting bases for centring pin incl. precision bore holes and grooves or integrated thread
- inductive sensing module with LED display
- One body for two cylinder sizes
- Additional manual operation at 86P6M-2 possible



**86P60-202L4H14**  
with adaptor



**86P6M-202L4004**  
with manual operation

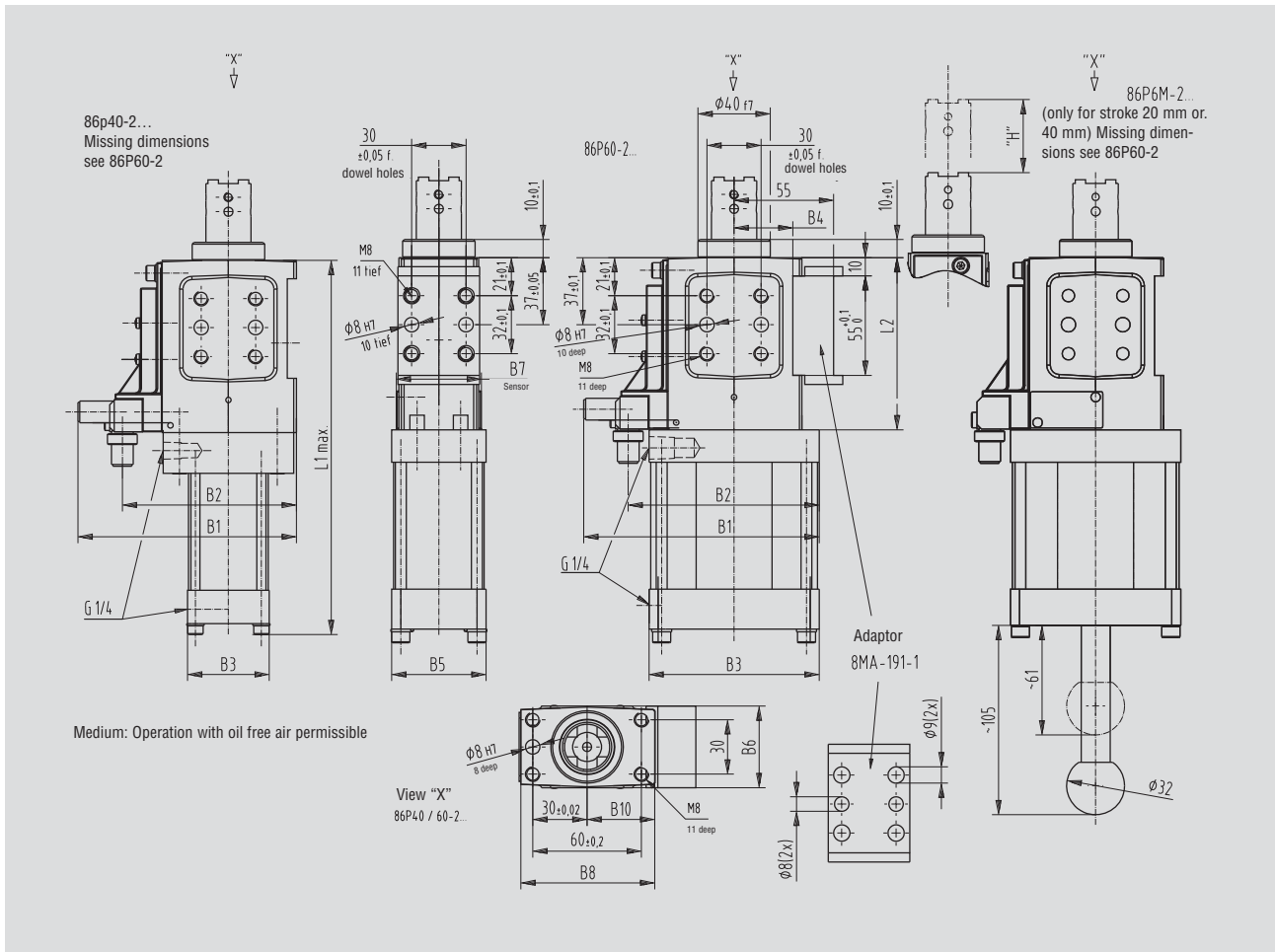


**86P60-202L6006**  
stroke 60 mm

#### Numbering code for 86P40/60-2; 86P6M-2 pin packages

Example Model no.: **86P40 - 2 02 C8 00 A**

Base model	Piston rod adaptor	Inductive sensing system	Accessories	Instructions
<p><b>86P40-2</b>      <b>86P60-2</b></p> <p>H1 (optional to make up for 86P6-1...)</p> <p><b>86P6M-2</b></p>	<p><b>02</b> = piston rod adaptor Ø 16 mm, cross groove and inside thread M6 <b>8MS-104-1</b></p> <p><b>05</b> = piston rod adaptor Ø 10 mm and cross groove <b>8MS-108-1</b></p>	<p><b>L4</b> (stroke 20/40) = without sensing system cover plate <b>86P0-200L4</b></p> <p><b>L6</b> (stroke 60) = without sensing system cover plate <b>86P0-200L6</b></p> <p><b>C8</b> = with sensing system <b>86P0-200C8</b> (for stroke 20/40) <b>86P0-200C8006</b> (for stroke 60) Fabr. Turck</p> <p><b>D8</b> = with sensing system <b>86P0-200D8</b> (for stroke 20 / 40) <b>86P0-200D8006</b> (for stroke 60) DE-STA-CO</p>	<p><b>00</b> = without accessories</p> <p><b>E1</b> = (only with <b>A</b> and <b>B</b>) external guide <b>82ZB-009-2</b></p> <p><b>F1</b> = Bellow <b>82ZB-013-3</b> (for stroke 20/40)</p> <p><b>G1</b> = Bellow/Adaptor (for stroke 20/40)</p> <p><b>H1</b> = Adaptor <b>8MA-191-1</b></p> <p><b>J1</b> = (only with <b>A</b> and <b>B</b>) external guide Adaptor <b>86P0-20000J1</b></p>	<p><b>A</b> = 40 mm stroke <b>C</b> = 60 mm stroke Anti – twist device low accuracy <b>8CE-231-1</b></p> <p><b>B</b> = 20 mm stroke Anti – twist device low accuracy <b>8MF-071-1</b></p> <p><b>2</b> = 20 mm stroke Anti – twist device <b>86P0-20000002</b></p> <p><b>4</b> = 40 mm stroke Anti – twist device <b>86P0-20000004</b></p> <p><b>6</b> = 60 mm stroke Anti – twist device <b>86P0-20000006</b></p>

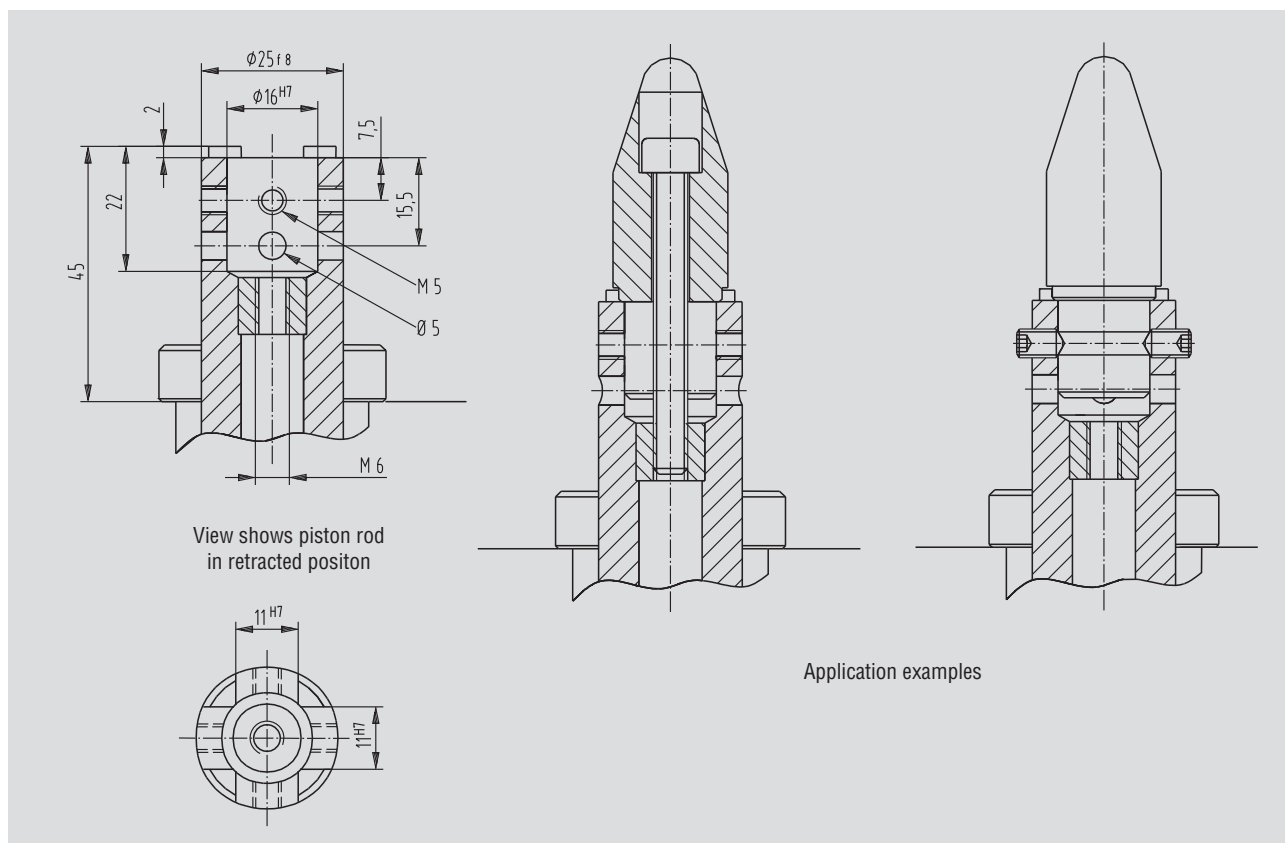


Model no..		Pushing force	Retraction force	Max.	Piston	Stroke	Weight	Air consumption
w/o sensing	w/ inductive sensing connector M12x1, fixed	at 5 bar	at 5 bar	operating pressure	Ø	"H"+2	~	per double stroke at 5 bar
		[kN]	[kN]	[bar]		[mm]	[kg]	[Liter]
86P40-2...L4...	86P40-2..._8...	0,62	0,52	6	40	20	1,6	0,5
86P40-2...L4...	86P40-2..._8...	0,62	0,52	6	40	40	1,6	0,7
86P40-2...L6...	86P40-2..._8...	0,62	0,52	6	40	60	2,2	1,2
86P60-2...L4...	86P60-2..._8...	1,55	1,4	6	63	20	2,0	0,8
86P60-2...L4...	86P60-2..._8...	1,55	1,4	6	63	40	2,0	1,4
86P60-2...L6...	86P60-2..._8...	1,55	1,4	6	63	60	2,6	2,2

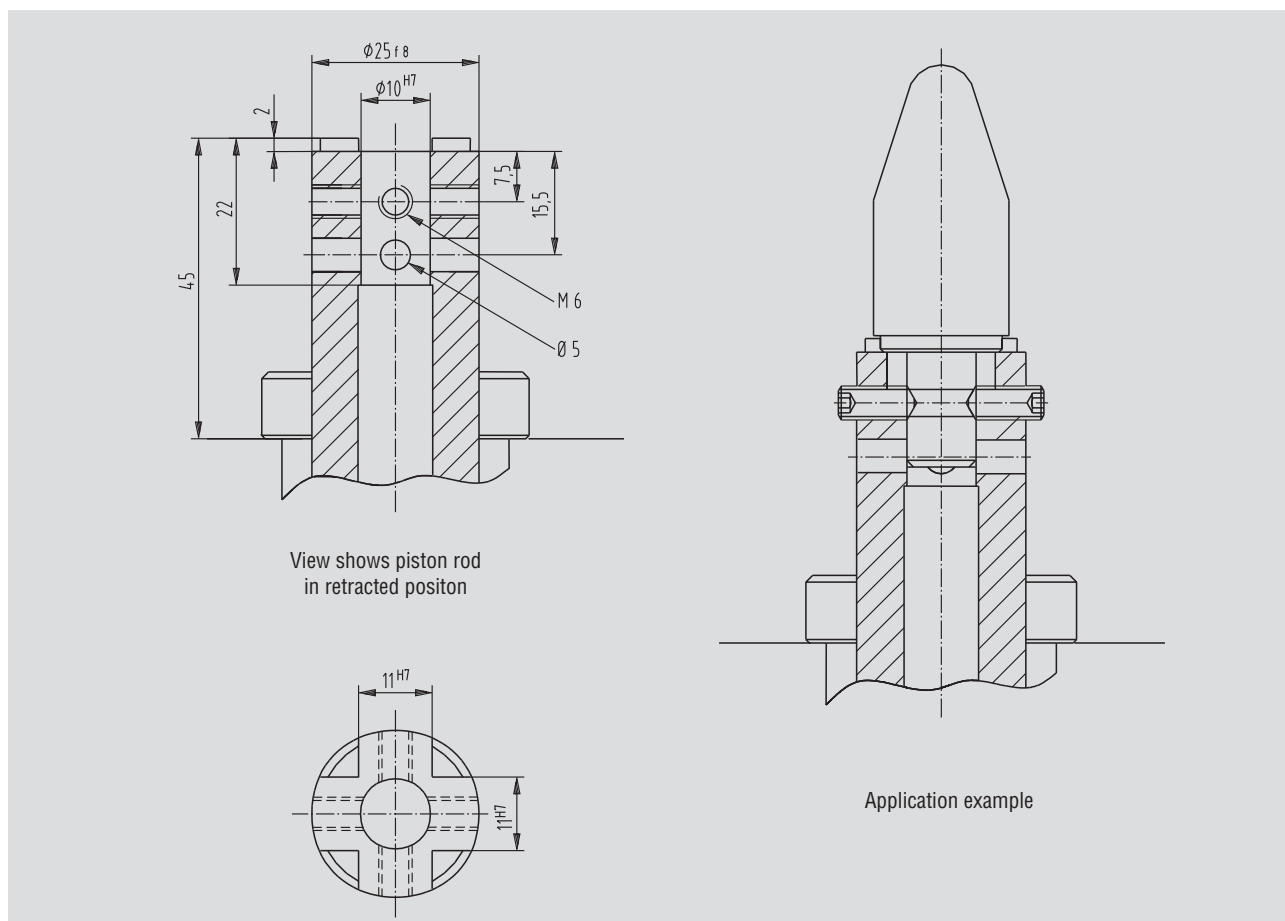
Model no.		B1	B2	B3	B4	B5	B6	B7	B8	B10	L1	L2
w/o sensing	w/ inductive sensing connector M12x1, fixed				± 0,02						max.	
86P40-2...L4...	86P40-2..._8...	121	96	45	32,5	45	45	47	74	37,5	207	95
86P40-2...L4...	86P40-2..._8...	121	96	45	32,5	45	45	47	74	37,5	207	95
86P40-2...L6...	86P40-2..._8...	121	96	45	32,5	45	45	47	74	37,5	247	115
86P60-2...L4...	86P60-2..._8...	130	106	94	32,5	52	45	47	74	37,5	213	95
86P60-2...L4...	86P60-2..._8...	130	106	94	32,5	52	45	47	74	37,5	213	95
86P60-2...L6...	86P60-2..._8...	130	106	94	32,5	52	45	47	74	37,5	253	115

## Series 86P40-2, 86P60-2

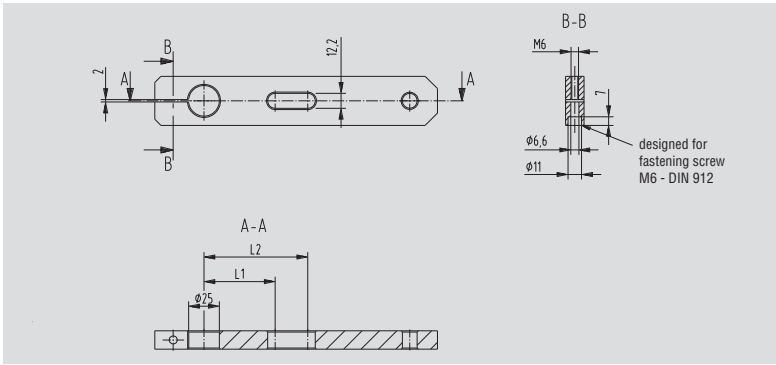
**Piston rod guide -202**, mounting base  $\varnothing$  16 mm for centring pin for 86P40-2, 86P60-2



**Piston rod guide -205**, mounting base  $\varnothing$  10 mm for centring pin for 86P40-2, 86P60-2



## Example application of off-centre centring pin of 86P40-2, 86P60-2

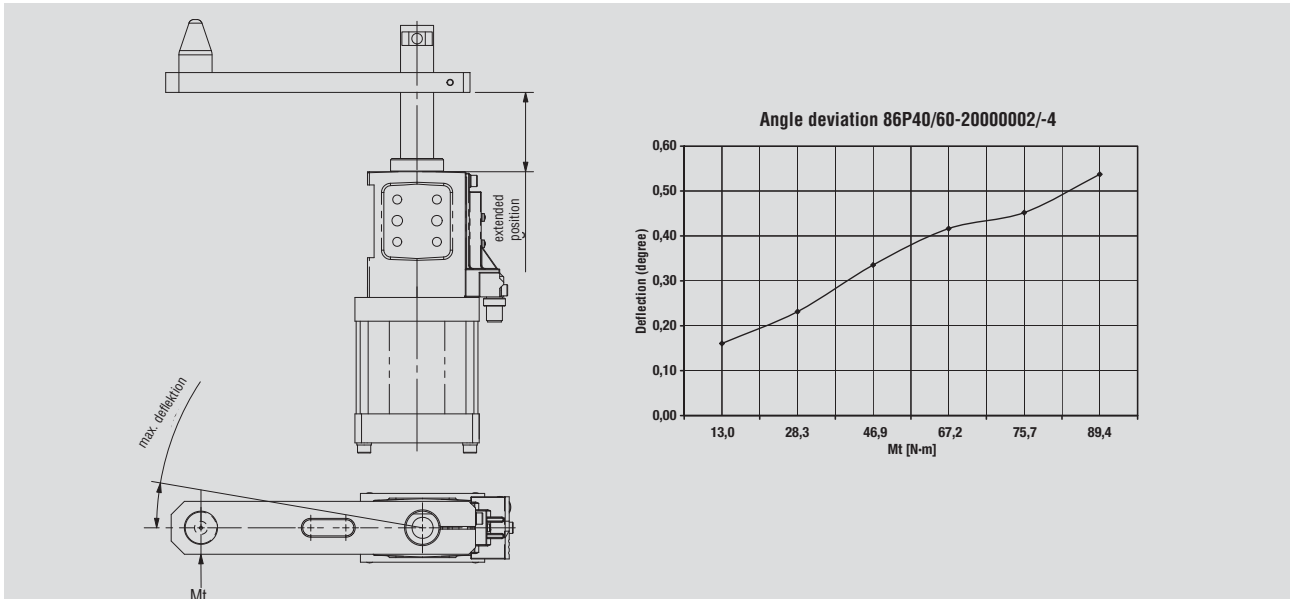


Model no.	L1	L2
86P40-2	58	62
86P60-2	80,5	84,5

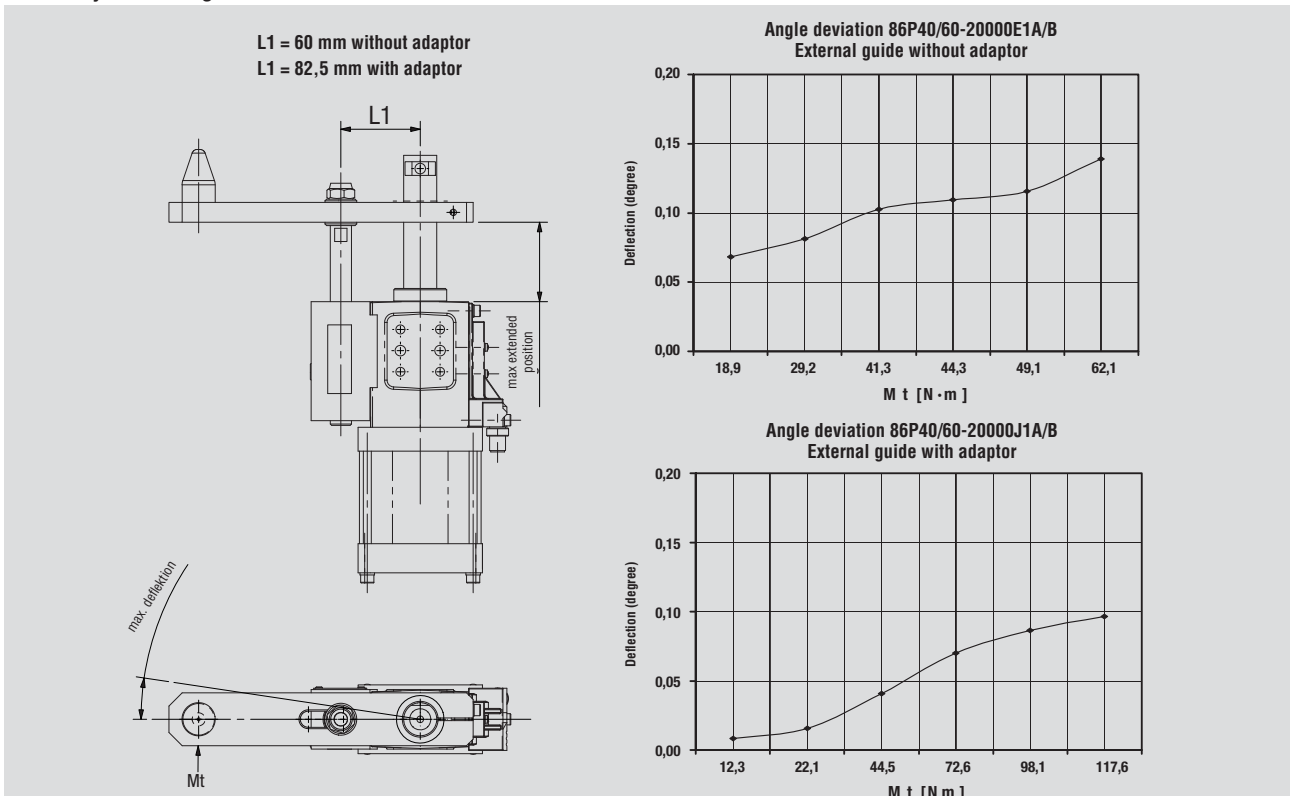
The component shown in this example is to be made by the customer



## Internal anti rotation device



## Accessory: External guide 82ZB-009-2



## Series 86P40-2, 86P60-2

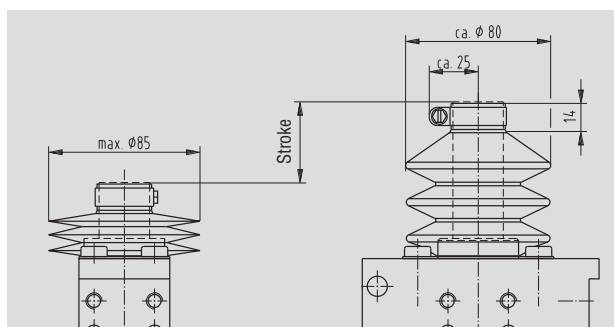


86P60-2 with bellow

retracted

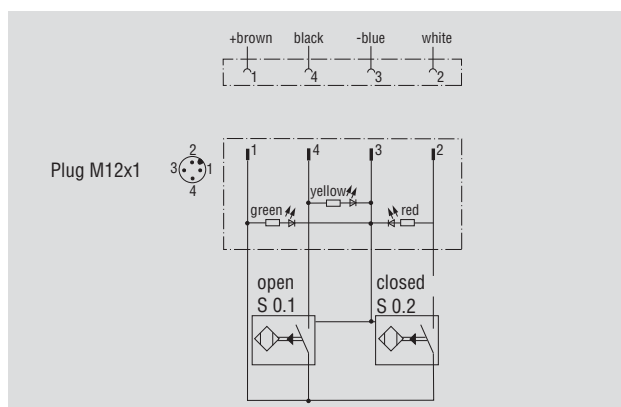
extracted

### Piston rod cover (Bellow) 82ZB-013-3



### Accessories

Specification	Order no.	Comment
<b>External guide</b>	<b>82ZB-009-2</b>	use without bellows only
<b>Bellows</b>	<b>82ZB-013-3</b>	use without external guide only
<b>Connecting cable</b> (1 connector socket & 5 m cable) Connector socket M12x1 straight, 5-pin  Connector socket M12x1 angular 4-polig	 <b>8EL-002-1</b>  <b>8EL-003-1</b>	



### Wiring diagram of electrical sensing system

Sensing system immune to interference from d.c. arc welding and a.c. arc welding

Inductive design:

- **C8** Connector plug M12x1, fixed (Turck)
- **D8** Connector plug M12x1, fixed (Pepperl & Fuchs)

### Major spare parts

Specification	Order no. for	
	86P4-10.....	86P6-10.....
<b>End position sensing system</b>		
<b>C8</b> connector plug M12x1, fixed (Turck)	<b>8EA-054-3</b>	<b>8EA-054-3</b>
<b>D8</b> connector plug M12x1, fixed (Pepperl & Fuchs)	<b>8EA-055-3</b>	<b>8EA-055-3</b>
<b>Seal kit</b>	<b>8PW-079-1-00</b>	<b>8PW-080-1-00</b>





## Series 85P5-1

### Straight-Line Action Clamp

Models: 85P5-1

#### Application:

Accurate positioning of workpiece in jigs. Piston rod is locked in the extracted position. Here the piston rod can be used for cases of counter supporting for clamps.

#### Features:

- Compact Design
- High accuracy of positioning
- Lateral and front-face mounting areas
- Stroke 40 mm
- Inductive sensing module
- Toggle-locked in extracted position



85P5-104B8000



85P5-104B80H0

Model no.	Extracting force at 6 bar [kN]	Retracting force at 6 bar [kN]	Holding force [kN]	Pressure max. [bar]	Piston Ø [mm]	Stroke [mm]	Weight [kg]	Air consumption at double stroke [l]
85P5-10400000	2	1	5	6	50	40	3,8	1,1
85P5-104B8000								
85P5-104000H0	2	1	5	6	50	40	4,0	1,1
85P5-104B80H0								

**Remark:** Extracting force and retracting force shown in this chart are only available with the last 2 mm stroke at extracted position. In the other range of the stroke the forces will be approximately 30 % of value in the chart.

#### Order no. code for 85P5-1.....

Example order no.: **85P5 - 1 04 B8 00 0 0**

**85P5-1 =**  
base model without sensing system

Base models

**04 =**  
plunger adapter NAAMS-Standard

Plunger variations

**00 =** without sensing system  
8AB-046-1

**B8 =** with sensing system  
8EA-033-1  
manufactured by Turck  
connecting plug M12x1

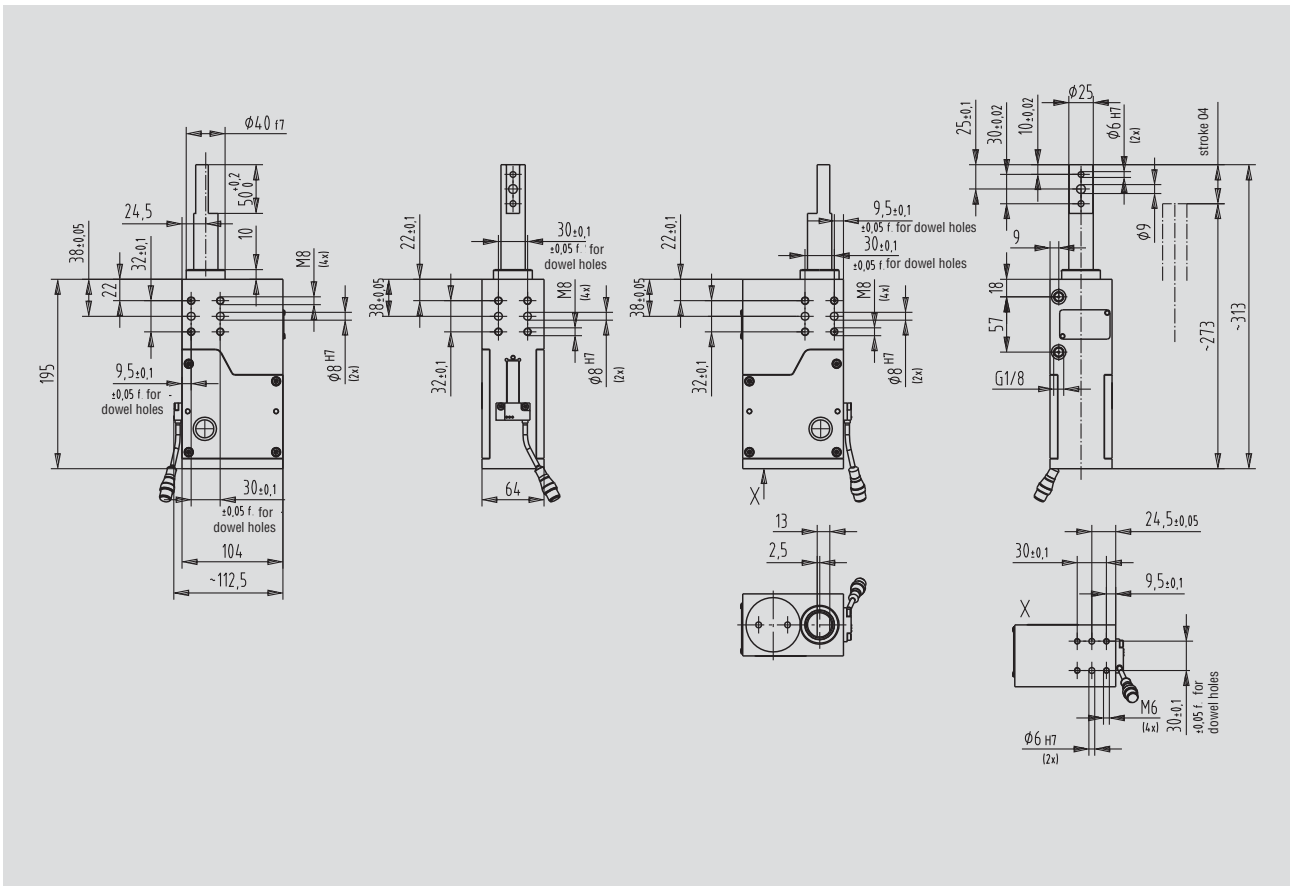
Sensing system

**0 =** without accessory parts

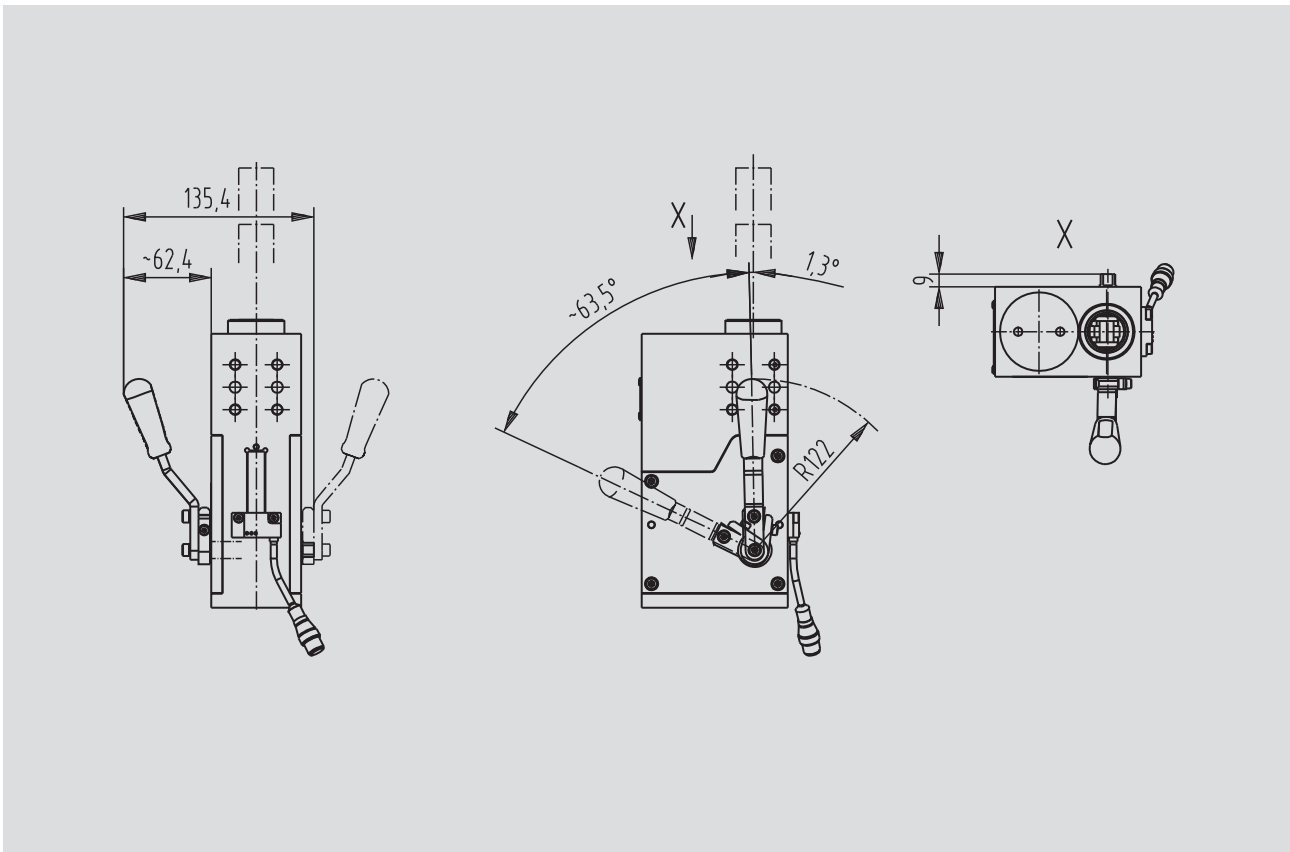
**0 =** without handlever  
**H =** with handlever

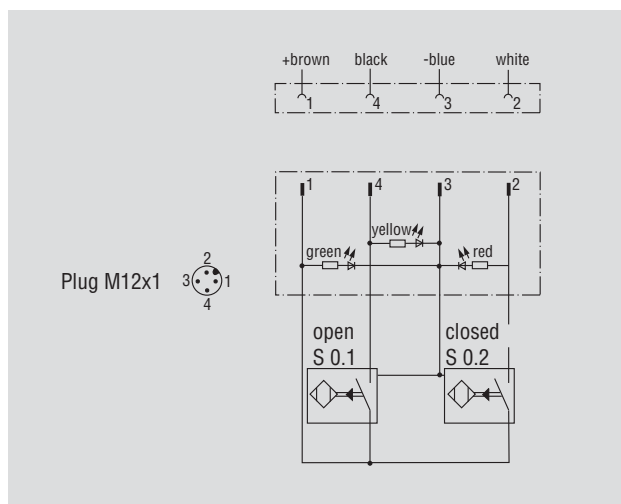
**0 =** without stroke limiter

85P5-1 without handlever



85P5-1 with handlever (additional dimensioning)







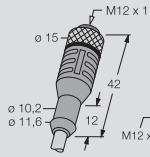
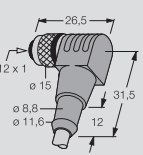
### Wiring diagram for electrical sensing system

Sensing system immune to interference from d.c. arc welding and a.c. arc welding

Inductive version:

- B8 Connector M12x1 w/lead (Turck)

### Accessories

Specification		Order no. for 85P5-1	Comment
<b>External guide</b>		<b>82ZB-010-2</b>	use for external centring pins
<b>External guide with locking unit</b>		<b>82ZB-026-1</b>	use for external pins with locking for preventing from unintended moving
<b>Connecting cable 1 connector socket and 5m cable)</b>			
connector socket M12x1 straight 5-pin		<b>8EL-002-1</b>	
connector socket M12x1 angular 4-pin		<b>8EL-003-1</b>	

### Major Spare Parts

Specification	Order no. for 85P5-1.....
<b>Sensing B8</b>	<b>8EA-033-2</b>
<b>Seal-kit cylinder</b>	<b>8PW-050-1-00</b>
<b>Handlever-kit</b>	<b>8KB-032-1</b>

DE-STA-CO pallet clamps are designed with a view to the requirements of the automotive and sheet processing industries. They are the perfect choice when it comes to clamping, holding and positioning metal sheets and other components on and in jigs. These clamps are used whenever normal automation power clamps cannot be used for accessibility reasons.

Locating clamps do two jobs in parallel: positioning and clamping. Their encapsulated mechanism is particularly well suited for long usage in welding systems. Sensors check if a clamping arm is actuated or released. This optional feature is a distinct advantage in automatic production systems.

**All clamps share one common feature:**

The clamps are designed to last for millions of cycles if the relevant application complies with the concept guideline.



	Model no.	Clamping force [N]	Holding capacity [N]	Page
	82U50-3	4000	4000	17.20
	82P30-3 82P35-3	2000 3500	2000 3500	17.22

# Series 82U50-3

■ **Pallet power clamps, enclosed model**

Models: 82U50-3....

**Application:**

Clamping, holding, gripping and positioning of metal sheets and other parts, mainly in jigs and handling systems, particularly in situations where local accessibility does not allow the use of standard clamps.

**Key areas of application:**

Automotive manufacturing, sheet processing industry, jig and general mechanical engineering.

**Features:**

- compact, enclosed aluminium body
- high holding torques
- long life cycle
- hard alloy rest at the clamping hook
- toggle action mechanism
- inductive sensing module with LED display

**Optional:**

- adapter plate for lateral connection
- sensing system integrated or attached to the cylinder



**82U50-300....**  
Pallet power clamp

Model no.			Max. holding force [N]	Clamping force at 5 bar [N]	Max. operating pressure [bar]	Cylinder Ø mm	Weight ~ [kg]
with inductive sensing							
Connector M12x1, fixed	Connector M12x1, w/ lead	Connector M8x1, fixed					
<b>82U50-300B700</b>	<b>82U50-300B800</b>	<b>82U50-300C800</b>	4000	4000	6	50	3,2

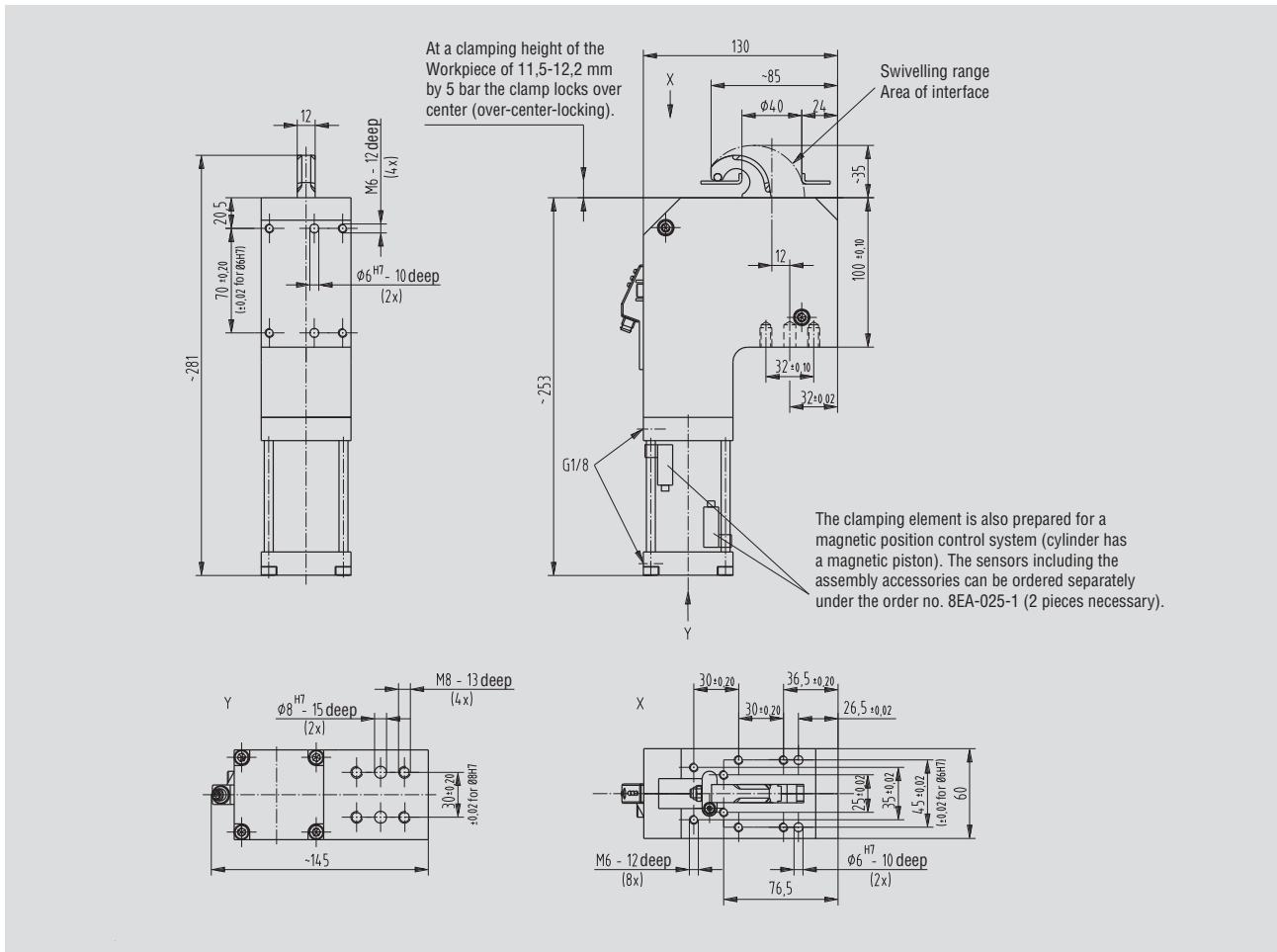
**Accessories**

Specification	Order no. for structure component 82U50-300....	Comment
<b>Connector cable</b> (1 connector socket & 5 m cable) B7 / B8 sensing system Connector socket M12x1, straight, 5-pin Connector socket M12x1, angular, 4-pin C8 sensing system Connector socket M8x1, straight, 4-pin Connector socket M8x1, angular, 4-pin		<b>8EL-002-1</b> <b>8EL-003-1</b> <b>8EL-009-1</b> <b>8EL-007-1</b>
<b>Plug adapter</b> M8 to M12	<b>8EL-008-1</b>	
Sensing system attached to cylinder		
<b>Magnetic sensors</b> plus installation material	<b>8EA-025-1</b>	2 pcs required

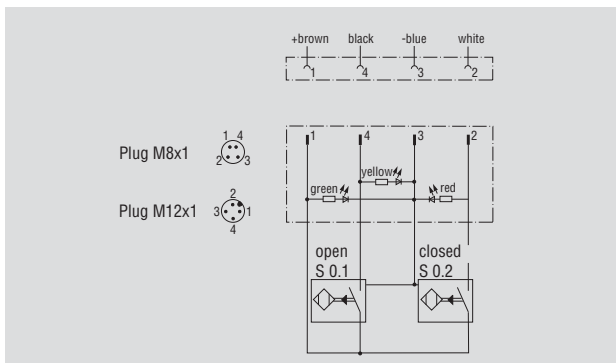
**Major spare parts**

Specification	Order no. for structural component 82U50-300....
<b>Pneumatic cylinder</b>	<b>8PW-007-1</b>
<b>Seal kit</b>	<b>8PW-007-1-00</b>
<b>Sensor box "B7"</b> , connector plug M12x1, fixed	<b>8EA-060-1</b>
<b>Sensor box "B8"</b> , connector plug M12x1 with lead	<b>8EA-031-1</b>
<b>Sensor box "C8"</b> , connector plug M8x1, fixed	<b>8EA-023-2</b>
<b>Spare part kit:</b> Bushings, Bearings, pins	<b>8KB-047-1</b>

82U50-300....



Power clamp to be operated with external pneumatic one-way flow control valve only



**Wiring diagram of electrical sensing systems B7, C8, B8**

Sensing system immune to interference from d.c. arc welding and a.c. arc welding

- **B7:** inductive, sensor box, connector plug M12x1, fixed
- **B8:** inductive, sensor box, connector plug M12x1 with lead
- **C8:** inductive, sensor box, connector plug M8x1, fixed

## Series 82P30-3/82P35-3

- Pneumatic locating clamps, enclosed and narrow design, with single-sided or double-sided clamping hook

Models: 82P30-3..... 82P35-3.....

### Application:

Clamping, holding, gripping and accurately positioning of metal sheets and other parts in jigs and handling systems.

### Key areas of application:

Automotive manufacturing, sheet processing industry, jig and general mechanical engineering.

### Features:

- compact design
- low weight (aluminium body)
- single-sided or double-sided clamping hook
- lateral attachment
- centring pin diameters between 20 mm and 45 mm
- 2 body variants, cylinder diameters 30 mm or 35 mm
- toggle action mechanism
- inductive sensing module with LED display



**Locating clamp 82P30-3..C000**  
Single-sided clamping hook  
without centring pin



**Locating clamp 82P30-3..C0D0**  
Double-sided clamping hook  
without centring pin

### Locating clamps with single-side clamping hook (Centring pin has to be ordered separately)

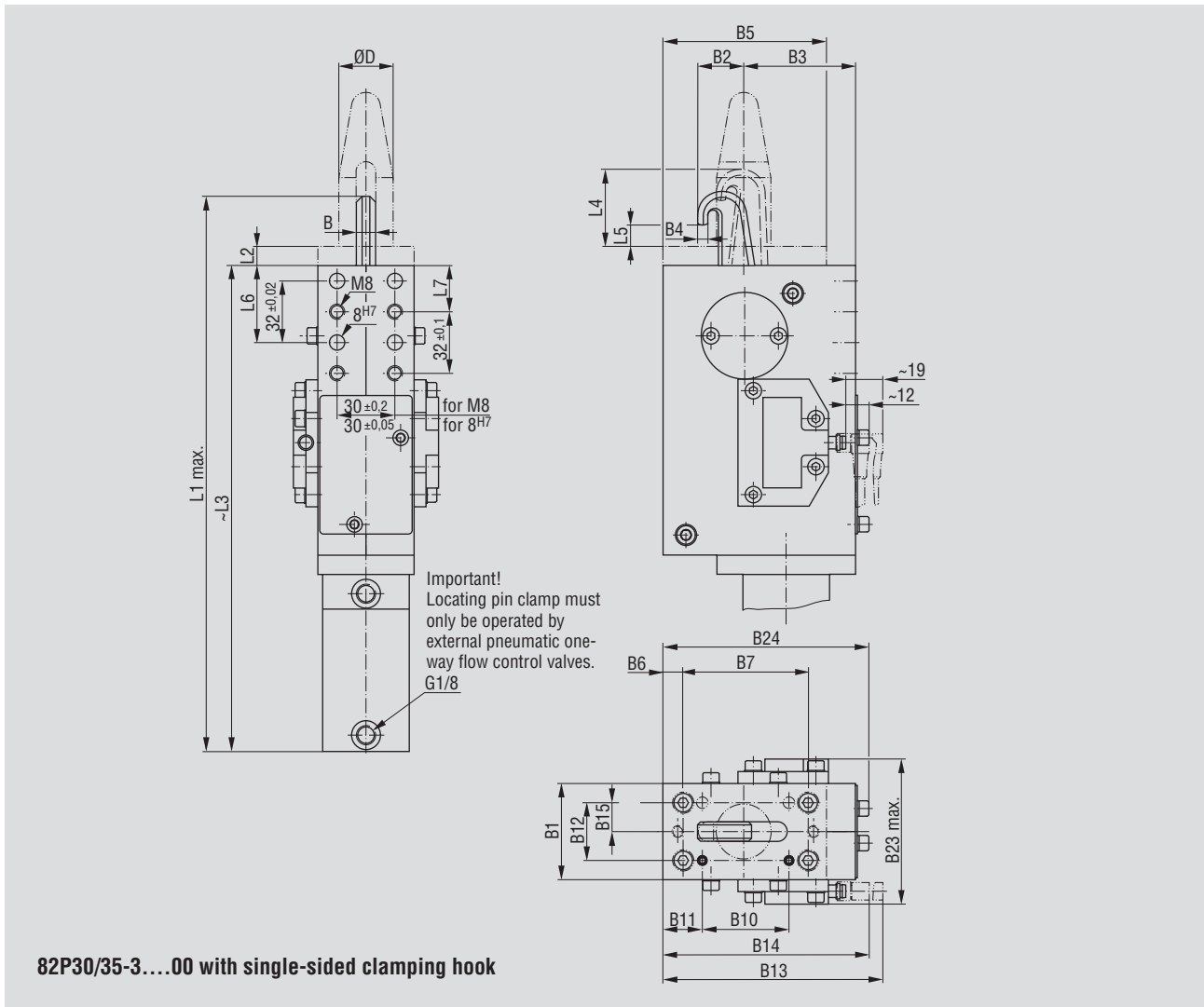
Model no. with inductive sensing without centring pin		Max. clamping force at 6 bar [N]	Max. operating pressure [bar]	Cylinder Ø [mm]	For centring pin Ø D [mm]	Weight ~ [kg]	Air consumption per double stroke at 6 bar [dm³]
Connector M12x1	Connector M8x1						
82P30-320B800	82P30-320C000	2000	6	30	20,0-23,0	3	0,8
82P30-325B800	82P30-325C000	2000	6	30	23,1-28,0	3	0,8
82P30-330B800	82P30-330C000	2000	6	30	28,1-33,0	3	0,8
82P35-340B800	82P35-340C000	3500	6	35	33,1-45,0	3,4	1,0

### Locating clamps with double-side clamping hook (Centring pin has to be ordered separately)

Model no. with inductive sensing without centring pin		Max. clamping force at 6 bar [N]	Max. operating pressure [bar]	Cylinder Ø [mm]	For centring pin Ø D [mm]	Weight ~ [kg]	Air consumption per double stroke at 6 bar [dm³]
Connector M12x1	Connector M8x1						
82P30-320B8D0	82P30-320C0D0	2000	6	30	20,0-23,0	3	0,8
82P30-325B8D0	82P30-325C0D0	2000	6	30	23,1-28,0	3	0,8
82P30-330B8D0	82P30-330C0D0	2000	6	30	28,1-33,0	3	0,8
82P35-340B8D0	82P35-340C0D0	3500	6	35	33,1-45,0	3,4	1,0



## ■ Locating clamp with single-sided clamping hook



### Technical data

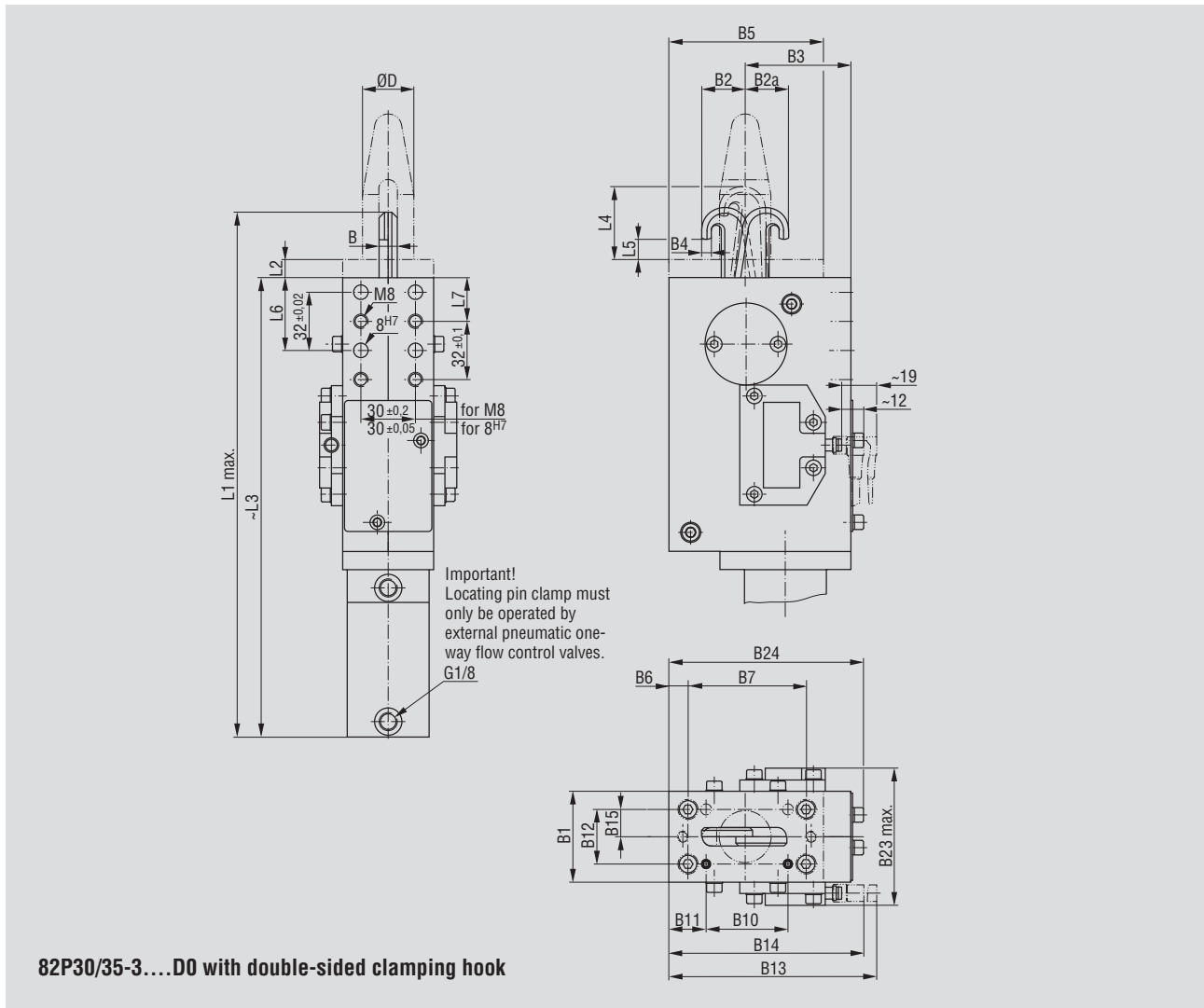
Model no.		Piston Ø	For centring pin Ø											
with inductive sensing			D	B	B1	B2	B3	B4	B5	B6	B7	B10	B11	B12*
Connector M12x1	Connector M8x1		-0,05	-0,1						±0,1	±0,2	±0,1	±0,1	±0,05
<b>82P30-320B800</b>	<b>82P30-320C000</b>	30	20,0-23,0	10	50	18,5	58	5	85	10,5	65	35	25,5	30
<b>82P30-325B800</b>	<b>82P30-325C000</b>	30	23,1-28,0	10	50	20,5	58	5,25	85	10,5	65	35	25,5	30
<b>82P30-330B800</b>	<b>82P30-330C000</b>	30	28,1-33,0	10	50	22,5	58	5,25	85	10,5	65	35	25,5	30
<b>82P35-340B800</b>	<b>82P35-340C000</b>	35	33,1-45,0	12	60	34	53	7	90	19	61	37	31	40

Model no.		B13	B14	B15*	B23	B24	L1	L2	L3	L4	L5	L6	L7		
with inductive sensing		max	max	±0,025	max		max	+0,1	~	~		±0,05	±0,1		
Connector M12x1	Connector M8x1														
<b>82P30-320B800</b>	<b>82P30-320C000</b>	114	107	15	75,4	107	304	10	265	40	11,5	40	24		
<b>82P30-325B800</b>	<b>82P30-325C000</b>	114	107	15	75,4	107	306	10	265	44	11,5	40	24		
<b>82P30-330B800</b>	<b>82P30-330C000</b>	114	107	15	75,4	107	306	10	265	45	11,5	40	24		
<b>82P35-340B800</b>	<b>82P35-340C000</b>	114	107	20	85,4	107	330	12	265	56	14	38	22		

\*Tolerances for dowel holes only

## Series 82P30-3/82P35-3

### Locating clamp with double-sided clamping hook



### Technical data


Model no. with inductive sensing without centring pin		Piston Ø	For centring pin Ø	B	B1	B2	B2a	B3	B4	B5	B6	B7	B10	B11
Connector M12x1	Connector M8x1	D	D	-0,05							±0,1	±0,2	±0,1	±0,1
<b>82P30-320B8D0</b>	<b>82P30-320C0D0</b>	30	20,0-23,0	5	50	18,5	19,5	58	5	85	10,5	65	35	25,5
<b>82P30-325B8D0</b>	<b>82P30-325C0D0</b>	30	23,1-28,0	5	50	20,5	21,5	58	5,25	85	10,5	65	35	25,5
<b>82P30-330B8D0</b>	<b>82P30-330C0D0</b>	30	28,1-33,0	5	50	22,5	23,5	58	5,25	85	10,5	65	35	25,5
<b>82P35-340B8D0</b>	<b>82P35-340C0D0</b>	35	33,1-45,0	6	60	34	34	53	7	90	19	61	37	31

Model no. with inductive sensing without centring pin		B12*	B13	B14	B15*	B23	B24	L1	L2	L3	L4	L5	L6	L7
Connector M12x1	Connector M8x1	±0,05	max	max	±0,025	max		max	+0,1	~	~		±0,05	±0,1
<b>82P30-320B8D0</b>	<b>82P30-320C0D0</b>	30	114	107	15	75,4	107	304	10	265	40	11,5	40	24
<b>82P30-325B8D0</b>	<b>82P30-325C0D0</b>	30	114	107	15	75,4	107	306	10	265	44	11,5	40	24
<b>82P30-330B8D0</b>	<b>82P30-330C0D0</b>	30	114	107	15	75,4	107	306	10	265	45	11,5	40	24
<b>82P35-340B8D0</b>	<b>82P35-340C0D0</b>	40	114	107	20	85,4	107	330	12	265	56	14	38	22

\*Tolerances for dowel holes only

Order no. code for locating clamps 82P30-3... / 82P35-3...

Example Order no.: **82P30** - **3** **30** **B8** **00**




**Location clamp**

82P30-3.../82P35-3..

Basic model

**Adapter for standard centring pin**


20 for pin-Ø 20,0 - 23,0 mm  
25 for pin-Ø 23,1 - 28,0 mm  
30 for pin-Ø 28,1 - 33,0 mm  
40 for pin-Ø 33,1 - 45,0 mm




**Standard locating pin**  
order separately

**Sensors**

**C0** = Sensor  
8EA-012-2  
Connector (M8x1)




**B8** = Sensor  
8EA-030-1  
Connector (M12x1)




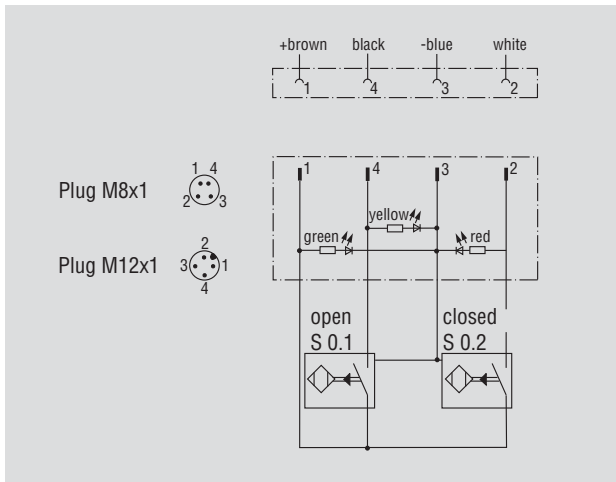
**Clamping hook**

**00** = Standard clamping hook



**DO** = Double clamping hook





### Wiring diagram of electrical sensing system

Sensing system immune to interference from d.c. arc welding and a.c. arc welding

Inductive models:

- **B8** inductive, with LEDs, connector plug M12x1
- **C0** inductive, with LEDs, connector plug M8x1

### Pin assignment

### Accessories for 82P30/35-3...

Specification	Order no. for structural component	
	82P30-3...	82P35-3...
<b>Centring pins</b> (put diameter in model number)	<b>82P30-3-__</b> , <sup>1)</sup>	<b>82P35-3-__</b> , <sup>1)</sup>
<b>Connector cable</b> (1 connector socket & 5 m cable)		
<b>B8 sensing system</b>		
Connector socket M12x1, straight, 5-pin	<b>8EL-002-1</b>	<b>8EL-002-1</b>
Connector socket M12x1, angular, 4-pin	<b>8EL-003-1</b>	<b>8EL-003-1</b>
<b>C0 sensing system</b>		
Connector socket M8x1, straight, 4-pin	<b>8EL-009-1</b>	<b>8EL-009-1</b>
Connector socket M8x1, angular, 4-pin	<b>8EL-007-1</b>	<b>8EL-007-1</b>

<sup>1)</sup> \_\_, \_\_ = centring pin diameter "D" as illustrated on page 17.26

**Ordering example:** To order the centring pin for locating clamp 82P30-325C000 with pin diameter "D" = 26.5 mm: "82P30-3-26.5"

## Series 82P30-3/82P35-3

■ Centring pin (has to be ordered separately)

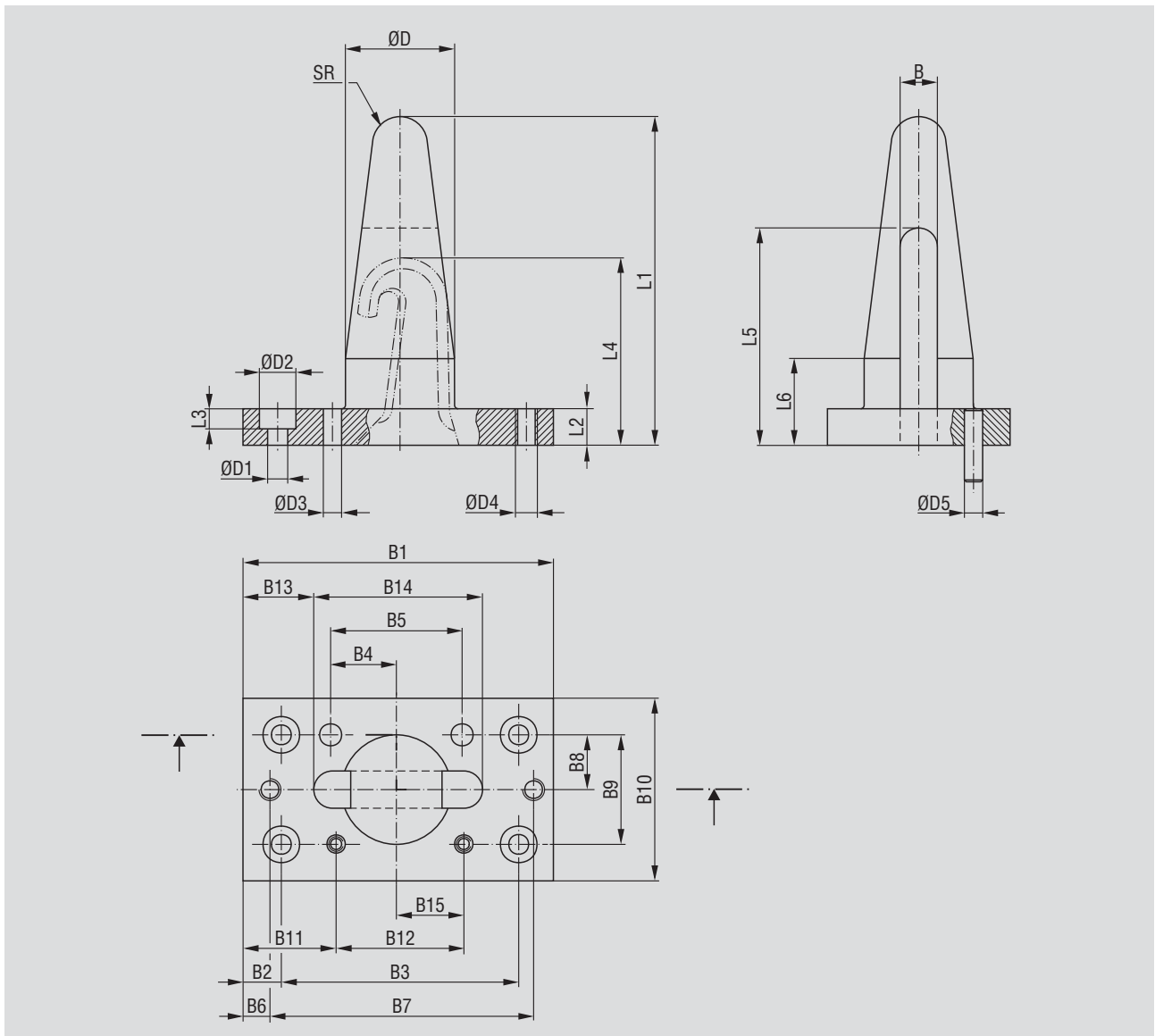


**Locating clamp** with single-sided clamping hook and centring pin



**Centring pin** (accessory part)

Centring pin for 82P30-3... and 82P35-3...



## Technical data of centring pins

Base locating clamp model	Order no. for centring pin	ØD -0,05	ØD1	ØD2	ØD3 H7	ØD4	ØD5 H11	SR	L1	L2 +0,1	L3	L4	L5	L6	B	B1	B2 ±0,1
<b>82P30-320....</b>	<b>82P30-3-__ __<sup>1)</sup></b>	20,0-23,0	5,5	10	6	M6	5	5	80	10	6	52	59,5	25	10,2	85	10,5
<b>82P30-325....</b>	<b>82P30-3-__ __<sup>1)</sup></b>	23,1-28,0	5,5	10	6	M6	5	7,5	90	10	6	54	59,5	25	10,2	85	10,5
<b>82P30-330....</b>	<b>82P30-3-__ __<sup>1)</sup></b>	28,1-33,0	5,5	10	6	M6	5	7,5	90	10	6	55	59,5	25	10,2	85	10,5
<b>82P35-340....</b>	<b>82P35-3-__ __<sup>1)</sup></b>	33,1-45,0	5,5	10	6	M6	5	8	102	12	6	68	73,5	30	12,2	90	19

Base locating clamp model	Order no. for centring pin	B3 ±0,2	B4 ±0,02	B5 ±0,02	B6	B7 ±0,2	B8* ±0,025	B9* ±0,05	B10	B11 ±0,1	B12 ±0,1	B13	B14	B15 ±0,05
<b>82P30-320....</b>	<b>82P30-3-__ __<sup>1)</sup></b>	65	18	36	10,5	65	15	30	50	25,5	35	19,4	46,2	18,5
<b>82P30-325....</b>	<b>82P30-3-__ __<sup>1)</sup></b>	65	18	36	10,5	65	15	30	50	25,5	35	19,4	46,2	18,5
<b>82P30-330....</b>	<b>82P30-3-__ __<sup>1)</sup></b>	65	18	36	10,5	65	15	30	50	25,5	35	19,4	46,2	18,5
<b>82P35-340....</b>	<b>82P35-3-__ __<sup>1)</sup></b>	61	18	36	7	76	20	40	60	31	37	16	62	21

\* Tolerance for dowel hole

<sup>1)</sup> \_\_ \_\_ = centring pin diameter "D"

**Ordering example:** To order the centring pin for locating clamp 82P30-325C000 with pin diameter "D" = 26.5 mm: "82P30-3-26.5"

## Major spare parts for 82P30-3/82P35-3

Specification	Order no. for structural component	
	82P30-3...	82P35-3...
<b>End position sensing</b>		
<b>B8</b> plug connector M12x1	<b>8EA-030-1</b>	<b>8EA-030-1</b>
<b>C0</b> plug connector M8x1	<b>8EA-012-2</b>	<b>8EA-012-2</b>
<b>Cylinder</b>	<b>8PW-019-1</b>	<b>8PW-006-1</b>
<b>Seal kit</b>	<b>8PW-019-1-00</b>	<b>8PW-006-1-00</b>